

# POWER FACTOR CONTROLLER RG-6T

## 1. INTRODUCTION

### 1.1 About User Manual

This User Manual is designed to help you for quick installation of RG-6T. Before installation and operation, please read this section very carefully.

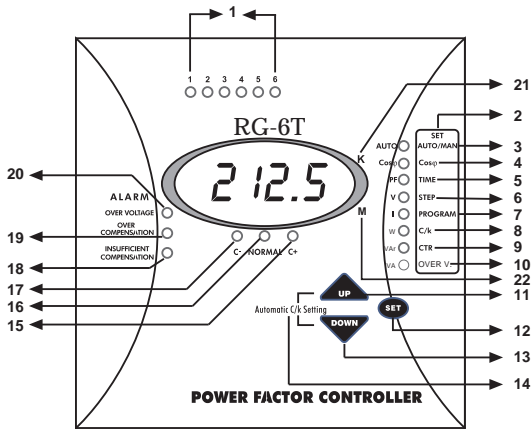
### 1.2 Precautions for Safe Use and Installation

- Failure to follow those instructions will result in death or serious injury.
- Disconnect all power before working on equipment.
- When the device is connected to the network, do not remove the back panel.
- Do not try to clean the device with solvent or the like. Only clean the device with dried cloth.
- Verify correct terminal connections when wiring.
- Electrical equipment should be serviced only by your component seller.
- Only for rack panel mounting.
- An F type fuse must be used and its current limit value must be 6A.
- No responsibility is assured by ENTES A.S or any of its subsidiaries for any consequences arising out of the use of this material.

## 2. GENERAL

Power Factor Controllers are used for measurement and control of power factor control units for central reactive power compensation. The Power Factor measured by RG-6T is compared with the set point values and in order to provide necessary compensation, Power Factor Controller switches capacitor banks ON and OFF automatically. RG-6T is a microcontroller relay, designed for above application in 144x144 and 96x96 (only RG-6T) case for flush mounting with rear plug-in connectors. In addition to displaying the system's  $\text{Cos}\phi$  in Automatic Operating Mode, RG-6T displays the RMS values of Voltage(V) and Current (I), Active Power (W), Reactive Power (VAR) and Apparent Power (VA) of measuring phase.

## 3. FRONT PANEL SPECIFICATIONS



On the front panel of RG-6T, there are warning lights, display and 3 buttons for settings.

### 3.1 Buttons and Lights

- 1, 2, ..., 12 : Shows the status of each capacitor steps.
- SET Menu : Shows the Menu options that correspond to the lights.
- AUTO/MAN Light : If this light is continuously ON, RG-6T is in Automatic Mode. If it is blinking, RG-6T is in Manual Mode. By pressing SET button 3 seconds, you enter to Menu and change operating Mode. (Refer to: 5.1)
- $\text{Cos}\phi$  Light : By pressing SET button 3 seconds;  $\text{Cos}\phi$  Adjustment can be made by selecting this light. (Refer to: 5.3). In Automatic Mode, when  $\text{Cos}\phi$  light is selected by pressing UP and DOWN buttons, system's  $\text{Cos}\phi$  and ind/cap state is displayed. (Refer to: 5.10)
- TIME/PF Light : By pressing SET button 3 seconds; you enter to Menu and Step Time adjustment is made by selecting this light. (Refer to: 5.4). In Automatic Mode, when this light is selected by pressing UP and DOWN buttons, system's Power Factor is displayed. (Refer to: 5.11)
- STEP/V Light : By pressing SET button 3 seconds; you enter to Menu and Step Number adjustment is made by selecting this light. (Refer to: 5.5). In Automatic Mode, when this light is selected by pressing UP and DOWN buttons phase voltage (V) is displayed. (Refer to: 5.12)
- PROGRAM/I Light: By pressing SET button 3 seconds; you enter to Menu and Power Sequence adjustment is made by selecting this light. (Refer to: 5.6). In Automatic Mode, when this light is selected by pressing UP and DOWN buttons phase current (I) is displayed (Refer to: 5.12)
- C/k - W Light : By pressing SET button 3 seconds; you enter to Menu and Manual C/k adjustment is made by selecting this light. (Refer to: 5.7). In Automatic Mode when this light is selected by pressing UP and DOWN buttons, system's Active Power (W) is displayed. (Refer to: 5.13)
- CTR - VAR Light : By pressing SET button 3 seconds; you enter to Menu and Current Transformer Ratio adjustment is made by selecting this light. (Refer to: 5.8)

In Automatic Mode when this light is selected by pressing UP and DOWN buttons, system's Reactive Power (VAR) is displayed. (Refer to: 5.14)

10. Over V. /VA Light : By pressing SET button 3 seconds; you enter to Menu and Protection of Capacitor Steps Against Over Voltage function is made by selecting this light. (Refer to: 5.9)

In Automatic Mode when this light is selected by pressing UP and DOWN buttons, system's Apparent Power (VA) is displayed. (Refer to: 5.15)

11. UP Button : To move up in the Menu.

12. SET Button : Enter button for different settings and values.

13. DOWN Button : To move down in the Menu.

14. Automatic C/k Setting : Automatical C/k adjustment is started by pressing UP and DOWN buttons together at the same time. (Refer to: 5.2)

15. C+ Light : This light is ON when RG-6T switches capacitor steps on.

16. NORMAL Light : This light is ON when the targeted compensation is achieved.

17. C- Light : This light is ON when RG-6T switches capacitor steps off.

18. Insufficient Compensation Light : This warning light is ON when insufficient compensation occurs. (Refer to: 6.1.2)

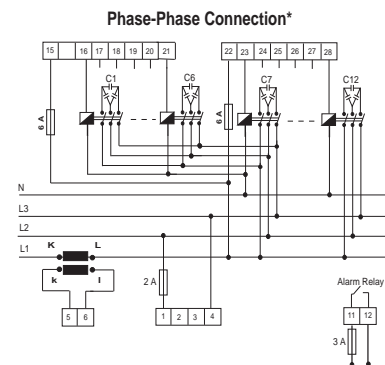
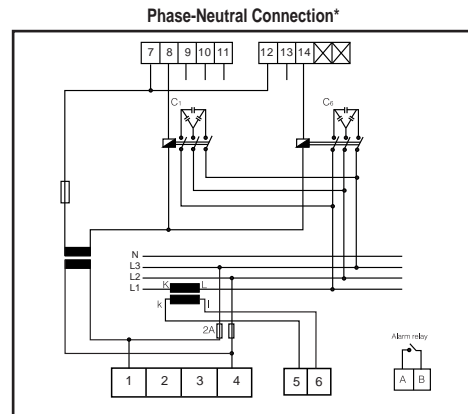
19. Over Compensation Light : This warning light is ON when over compensation occurs. (Refer to: 6.1.3)

20. Over Voltage Light : This warning light is ON when over voltage occurs. (Refer to: 6.1.1)

21. K (Kilo) Light : When this light is ON displayed value must be multiplied by 1000.

22. M (Mega) Light : When this light is ON displayed value must be multiplied by  $10^6$ .

## 4. CONNECTION DIAGRAM



### Warnings:

- Connection of a circuit breaker between the network and the power supply input of the device is highly recommended.
- Circuit breaker must be in close proximity to the device.
- Circuit breaker must be marked as the disconnecting device for the equipment.
- All used fuses must be FF type and the current values of the fuses must be 2A, 3A and 6A.

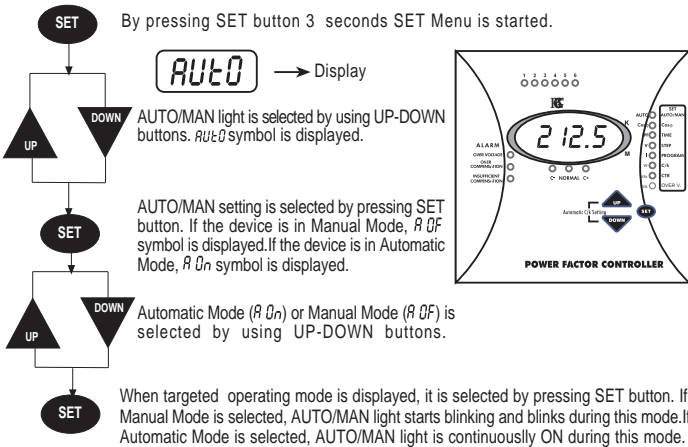
# POWER FACTOR CONTROLLER RG-6T

## 5. CONTROLS AND MENU OPERATIONS

All settings are made by Menu. The set values except operating mode are kept in memory even if the device is switched off. When it is switched on, it starts compensation with the values stored in the memory in Automatic Operating Mode. After entering Menu by pressing SET button for 3 seconds and if you don't make any adjustments during 20 seconds, RG-6T operates with the previously stored values. To quit Menu without any storing operation, UP or DOWN buttons are pressed until the ESC symbol is displayed and then SET button is pressed. The details of controls and adjustments are explained in the following sections.

### 5.1 Selection of Operating Mode (Automatic / Manual Mode)

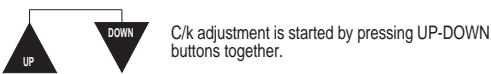
Two Operating Modes are available for switching on/off the capacitor steps.  
 1) Automatic Operating Mode: The capacitor steps are controlled by RG-6T, automatically.  
 2) Manual Operating Mode: the capacitor steps are switched on/off, manually. RG-6T returns to Automatic mode if any button is not pressed within 5 minutes.  
 Mode selection is done as followed.



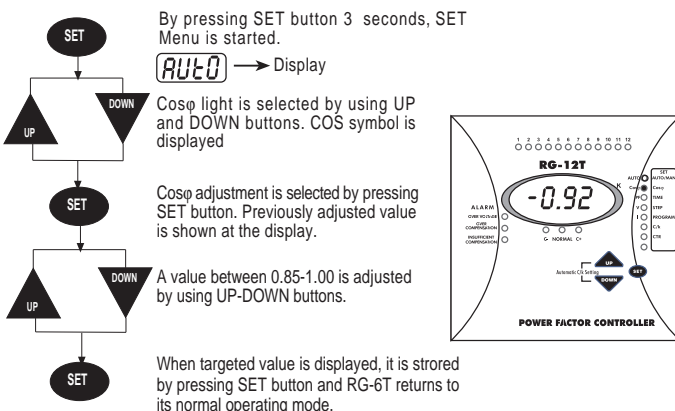
### 5.1.1 Switching of the Capacitor Steps Manually

When RG-6T is in Manual Mode, capacitor steps are connected by pressing UP button. Each time UP button is pressed, C+ light turns ON and one step is connected accordingly; NORMAL light will be ON after the connection of the step. This operation must be repeated to connect more steps.  
 Capacitor steps are disconnected by pressing DOWN button. Each time UP button is pressed, C- light turns ON and one step is disconnected after a delay time; NORMAL light will be ON after the disconnection of the step. This operation must be repeated to disconnect more steps.

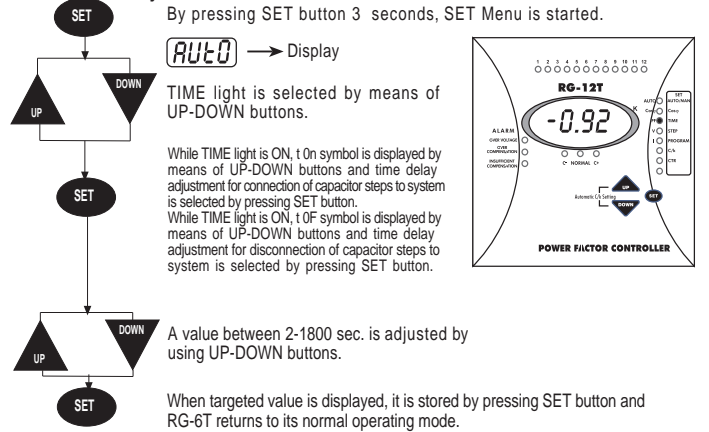
### 5.2 Automatic C/k Adjustment



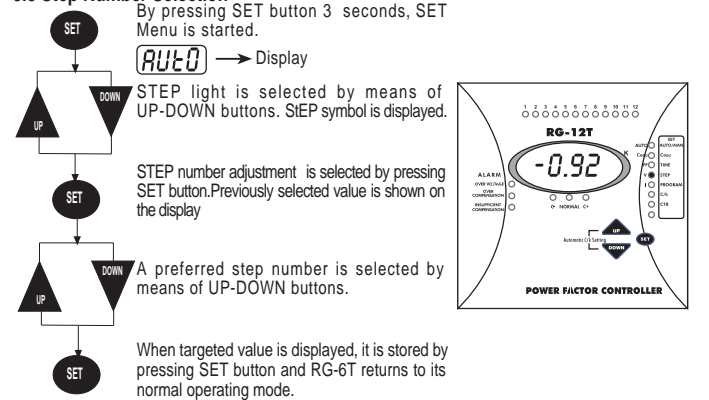
### 5.3 Cosφ Adjustment



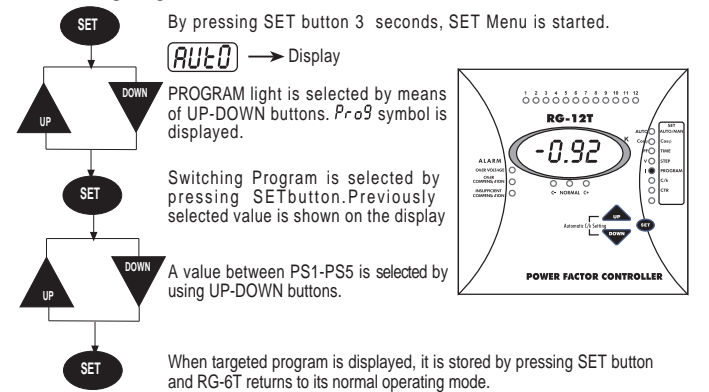
### 5.4 Step Time Adjustment



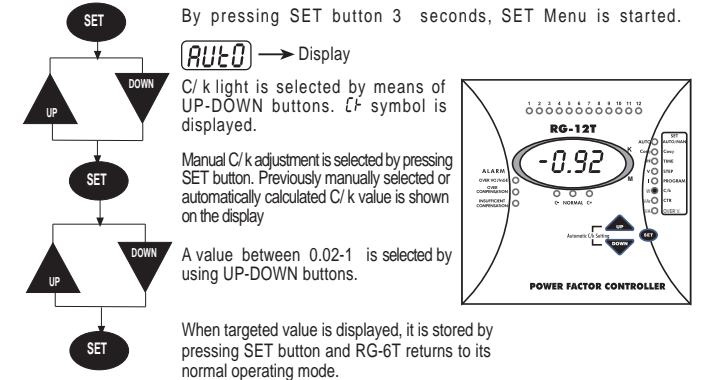
### 5.5 Step Number Selection



### 5.6 Switching Program Selection

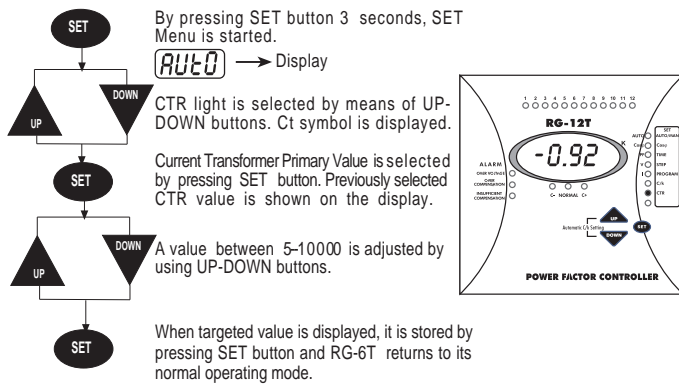


### 5.7 Selection of C/k Value by the User



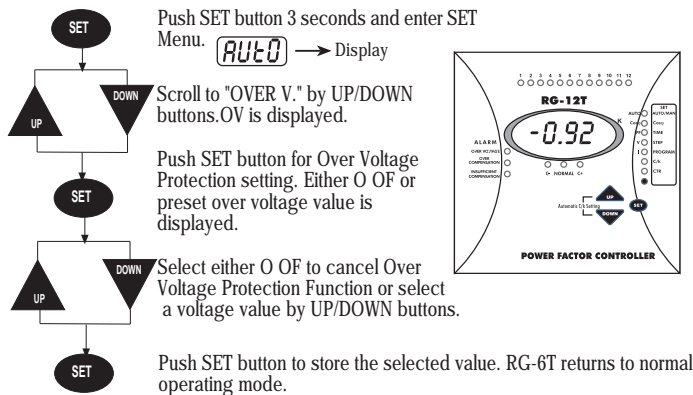
# POWER FACTOR CONTROLLER RG-6T

## 5.8 Selection of Current Transformer Primary Value



## 5.9 Protection of Capacitor Steps Against Over Voltage

This is a selectable function, either O OF (Over Voltage Protection Off) or an Over Voltage value between 240-275V can be selected. If "Over Voltage" occurs when Over Voltage Value is selected (between 240-275V), then all the capacitor steps switch off, OVER VOLTAGE LED turns on and alarm relay activates. And if RG-6T is on Manual Mode, it switches to Automatic Mode. If O OF is selected; Then over voltage protection is disabled. Note: For over voltage values of RG-6T with 380-415 VAC, please kindly check technical specifications on page 4. Setting can be made as followed.



## 5.10 Display of Cosφ Value

When RG-6T is in Manual Operating Mode, Cosφ value and inductive/capacitive state is always displayed. When Cosφ value is negative, the system is capacitive and if Cosφ value is positive, the system is inductive. In Automatic Operating Mode, system's present Cosφ value and ind./cap. state may be displayed by selecting the Cosφ light, by means of UP-DOWN buttons.

## 5.11 Display of Power Factor (PF) Value

When RG-6T is in Automatic Operating Mode (AUTO/MAN light is continuously ON), PF light is selected by means of UP-DOWN buttons and system's Power Factor value is displayed. This option is disabled in Manual Operating Mode.

**Important Definition:** Cosφ is defined as Displacement Power Factor and is relative to the fundamental harmonic only. PF is defined Total Power Factor and is relative to the all harmonics including fundamental harmonic. In a system without harmonics, PF and Cosφ are equal to each other.

Attention: The difference between cosφ and PF values does not mean that voltage harmonics, which leads to problems in systems, are high on the network.

## 5.12 Displaying RMS Values of Voltage and Current

When RG-6T is in Automatic Operating Mode (AUTO/MAN light is ON) and V light is selected, RMS value of Voltage (V) is displayed. If I light is selected, RMS value of Current (I) is displayed. Displayed current and voltage values are of the phase where CT is connected. These options are disabled in Manual Operating Mode.

## 5.13 Display of Active Power (W) Value

When RG-6T is in Automatic Operating Mode (AUTO/MAN light is continuously ON) and W light is selected by means of UP-DOWN buttons, system's Active Power value is displayed. This option is disabled in Manual Operating Mode.

## 5.14 Display of Reactive Power (Var) Value

When RG-6T is in Automatic Operating Mode (AUTO/MAN light is continuously ON) and Var light is selected by means of UP-DOWN buttons, system's Reactive Power value is displayed. This option is disabled in Manual Operating Mode.

## 5.15 Display of Apparent Power (VA) Value

When RG-6T is in Automatic Operating Mode (AUTO/MAN light is continuously ON) and VA light is selected by means of UP-DOWN buttons, system's Apparent Power value is displayed. This option is disabled in Manual Operating Mode.

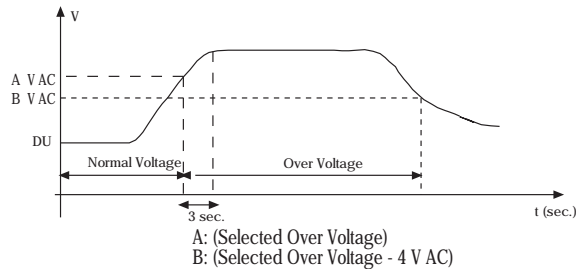
## 6. DESCRIPTION

### 6.1 Errors and Warnings

The Alarm Relay is activated if the following "errors" occur.

#### 6.1.1 Over Voltage

If the phase-neutral voltage of the L1 phase exceeds or equals to preset Over Voltage Value (between 240-275V), then RG-6T waits for 3 seconds. At the end of 3 seconds if there is still over voltage, then OVER VOLTAGE LED turns on. Depending on selection of Over Voltage Protection Function (Pls. refer to 5.9), RG-6T switches off all the capacitor steps or continues to compensation. Over Voltage error disappears, if set Over Voltage value decreases by 4VAC. In this case, OVER VOLTAGE LED turns off and RG-6T continues to compensation.



#### 6.1.2 Insufficient Compensation

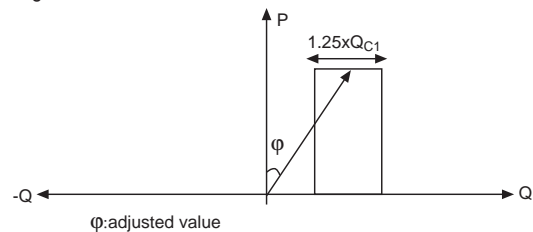
When target power factor is not reached although all the capacitor steps have been connected, INSUFFICIENT COMPENSATION's light is ON and the Alarm Relay is activated.

#### 6.1.3 Over Compensation

If the system is still capacitive although all the capacitor steps are disconnected, OVER COMPENSATION light is ON and Alarm Relay is activated.

### 6.2 Target Cosφ

The target Cosφ value can be adjusted between 0.85-1.00 inductive. RG-6T connects capacitors in order to bring system's power factor to the adjusted value. The adjusted value is defined as  $1.25 \times Q_{C1}$  value. Switching operation occurs out of this region.



### 6.3 Adjustable Step Switching Time

Step switching on/off delay time can be adjusted between 2 sec.-1800 sec.

**Warning:** Shorter time than above range can lead to damage in capacitors and conductors.

**If capacitor banks do not have discharge coils, the delay time must be selected over 14 seconds. The selected delay time must not be shorter than the manufacturer's instruction.**

### 6.4 Switching Program Selection

RG-6T has 5 different program modes which determines the power ratio sequence of the capacitor steps:

- PS1 selection ==> 1: 1: 1:.....: 1
- PS2 selection ==> 1: 2: 2:.....: 2
- PS3 selection ==> 1: 2: 4:.....: 4
- PS4 selection ==> 1: 2: 4: 8:.....: 8
- PS5 selection ==> may be all of the above

#### 6.4.1 RG-6T Capacitor Sequence Examples

The power ratio selection between capacitor steps is very important. When choosing the ratio between the power of capacitor steps, the rating of each capacitor step value may exceed that of the first by a maximum amount equal to the total of the preceding capacitor steps value. So the first step value will be the smallest one and the following steps must be the multiplies of the first step.

**Example:** If the first capacitor power is 5 kVar, the capacitor power sequence of the following capacitors are as followed:

- PS1 selection ==> 5: 5: 5:.....: 5
- PS2 selection ==> 5: 10: 10:.....: 10
- PS3 selection ==> 5: 10: 20:.....: 20
- PS4 selection ==> 5: 10: 20: 40:.....: 40
- PS5 selection ==> may be all of the above

# POWER FACTOR CONTROLLER RG-6T

Two different switching programs exist in RG-6T :

- a) Rotational Switching : This switching program is rotational between equal steps in the clockwise direction. This ensures that the capacitor switching cycles are uniformly distributed over all steps and to provide minimum switching steps for maximum service life time of the system.  
There are 4 different rotational switching program options.(PS1,PS2,PS3,PS4)
- b) Linear Operation : The switching program begins always from the first step to the last one in both switching on and off mode. The advantage of this switching program is the possibility of a large selection of capacitor steps conform to the step function ratio rule as explained above. The maximum possible ratio is "x:2x:4x:8x:16x....".  
This switching program is selected by PS5 option.

## 6.5 Step Number Selection

By selecting the step number, the extra time is spent connecting on/off the unused capacitor steps is eliminated. As a result, compensation system is used more effectively and efficiently. If step number is not selected, RG-6T makes the compensation according to the factory set step number which is max. available output as defined on the front panel.

## 6.6 C/k Setting

The C/k value is a threshold value for switching on/off the capacitor steps. C/k is the value obtained by dividing first step capacitor power "C" to the Current Transformer Ratio "k". This value is measured and calculated by RG-6T automatically, or can be entered manually. After pressing the UP and DOWN buttons together, the C/k value is calculated and stored in one step switching on/off time interval. The further compensation controls are made with this stored value. In case of instantaneous change of the system's load, measuring process will be renewed. RG-6T will stop the measuring after 10 attempt. It means that the C/k value couldn't be measured due to the instability of the system's load. In this case, compensation control will continue with the previously stored value in the memory.

The formula to calculate the C/k value is :

$$C/k = \frac{Q}{k}$$

Q: Power of the first step capacitor (kVar)  
k: Current Transformer Ratio.(CTR)

### Example :

Let the power (C) of the first step capacitor is 5 kVA and the Current Transformer Ratio (k) is 100/5. Then the C/k value is:

$$C/k = 5/(100/5)=0.25$$

C/k value for the different C and k values are as followed :

CTR (k)	Power of Capacitor Step (kVAr) (C)												
	2.5	5	10	12.5	15	20	25	30	40	50	60	100	
30/5	0.42	0.83											
50/5	0.25	0.50	1.00										
75/5	0.17	0.33	0.67	0.83	1.00								
100/5	0.13	0.25	0.50	0.63	0.75	1.00							
150/5	0.08	0.17	0.33	0.42	0.50	0.67	0.83	1.00					
200/5	0.06	0.13	0.25	0.31	0.38	0.50	0.63	0.75	1.00				
300/5	0.04	0.08	0.17	0.21	0.25	0.33	0.42	0.50	0.67	0.83	1.00		
400/5	0.03	0.06	0.13	0.16	0.19	0.25	0.31	0.38	0.50	0.63	0.75		
500/5		0.05	0.10	0.13	0.15	0.20	0.25	0.30	0.40	0.50	0.60	1.00	
600/5			0.08	0.10	0.13	0.17	0.21	0.25	0.33	0.42	0.50	0.83	
800/5			0.06	0.08	0.09	0.13	0.16	0.19	0.25	0.31	0.38	0.63	
1000/5			0.05	0.06	0.08	0.10	0.13	0.15	0.20	0.25	0.30	0.50	
1250/5				0.05	0.06	0.08	0.10	0.12	0.16	0.20	0.24	0.40	
1500/5					0.05	0.07	0.08	0.10	0.13	0.17	0.20	0.33	
2000/5						0.05	0.06	0.08	0.10	0.13	0.15	0.25	
2500/5							0.05	0.06	0.08	0.10	0.12	0.20	
3000/5								0.05	0.07	0.08	0.10	0.17	
4000/5									0.05	0.06	0.08	0.13	

## 6.7 Sensing the Energy Flow Direction

RG-6T has four quadrant measuring and operation feature. So, it is able to sense the energy flow direction and to correct itself for right compensation.

## 6.8 Current Transformer (CT) Selection

A separate CT must be always used for the Power Factor Controller. The wires connecting CT to Power Factor Controller must be as short as possible and the diameter of wire not less than 1.5 mm. Since the current information is supplied by CT, the right selection of CT is very important. The secondary current of the selected CT must comply with the following current limits for correct measuring.

Minimum=0.05 mA, Maximum=5.5 A (Minimum C/k Ratio must be 0.02)

## 7. ERROR DESCRIPTIONS

### 7.1 Wrong Cosφ

Current and Voltage phase connections are not correct.

### 7.2 Insufficient Compensation

The power value of the capacitor steps may be decreased by time. The fuses which are connected to the capacitors may be out of order. The power of the capacitor steps may be

insufficient to compensate the system.(In this case, user must increase the capacitor power.)

### 7.3 Over Compensation

This occurs (especially at weekends, nights etc.) due to capacitive load current drawn by devices like ballasts, constant steps, etc. The contactor's contacts switching the capacitor steps may have stuck to each other due to the instantaneous over current.Unnecessary capacitor steps may have switched on manually.

### 7.4 Over Voltage

The phase-neutral voltage of L1 has exceeded the preset Over Voltage Value.

## 8. EASY INSTALLATION RECOMMENDATION (IMPORTANT NOTICE)

When the load is unstable and varies very quickly, the C/k calculation process may take long time or in some cases it can not be calculated properly or can be miscalculated which may cause improper compensation. A practical way to prevent this situation is as followed:

1- Turn on the compensation board without connecting the load current. Only the capacitors will be in operation in this situation (You can do this by switching off the load current temporarily).

2- Start the C/k calculation process by pressing the UP and DOWN buttons at the same time. Now, depending on the power of the first step, C/k value is calculated very accurately by RG-6T. The calculated C/k value will automatically be stored in the memory. You can switch the load on. This C/k value will be kept in the memory until it is recalculated or changed manually.

## 9. TECHNICAL SPECIFICATIONS

Rated Voltage (Un)  
Operating Voltage Range(ΔU)  
Operating Current Range(ΔI)  
Rated Frequency  
Measuring Class  
Power Consumption

Output Contact  
No-Volt Feature

Setting Range

Time Delay  
Over Voltage Values

Factory Set Values

Number of Steps

Ambient Temperature  
Display  
Equipment Protection Class  
Wire Section (For Terminal Block)  
Terminal Block Protection Class  
Protection Class  
Connections  
Dimension  
Switchboard cut-out  
Weight

\*These supply voltages are adjusted upon request.

## 10. DIMENSIONS

